

55" ANTONIO CAST IRON ROLL TOP TUB

Cat. No.
CTRN54



L: 55-1/2"
W: 30"
H: 25" (from floor to top of tub)
16-1/2" (from bottom of tub to top of tub)

The following is recommended for CTRN54 tubs without faucet holes:

- Faucets: part #4602
- Rigid, freestanding supplies: Part #4502
- Leg tub drain: part #5599

Gallon Capacity: 36
Shipping Weight: 434 lbs.
Empty Weight: 247 lbs.
Filled Weight: 547 lbs.

Features:

- ▶ Inside finish is white enamel
- ▶ Cast Iron ball and claw feet
- ▶ Tub exterior is white (epoxy)
- ▶ No faucet holes
- ▶ Non-skid strips
- ▶ Feet are attached and leveled before shipment
- ▶ Tub is thoroughly inspected before shipment

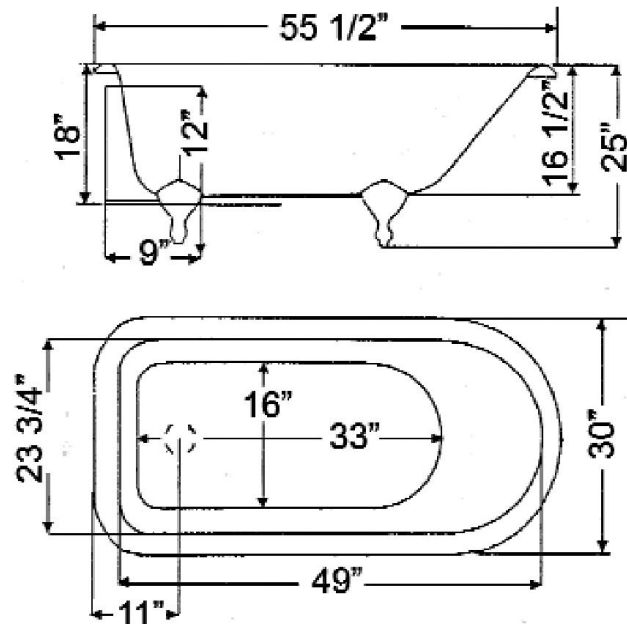


Foot Finishes:

BP Polished Brass
PN Polished Nickel
WH White

CP Polished Chrome
SN Brushed Nickel
ORB Oil-rubbed Bronze

Custom Colors Available (inside of tub is always white enamel):
Painted bathtubs are considered "special order" and are not returnable
\$160 Bisque or Black \$250 Designer Color



Dimensions of fixture are nominal and may vary within the range of tolerances established by ANSI Standard A112.19.2. Dimensions and specifications subject to change without notice.

TUB WALL MOUNT FILLER WITH HANDSHOWER

Cat. No.
4602



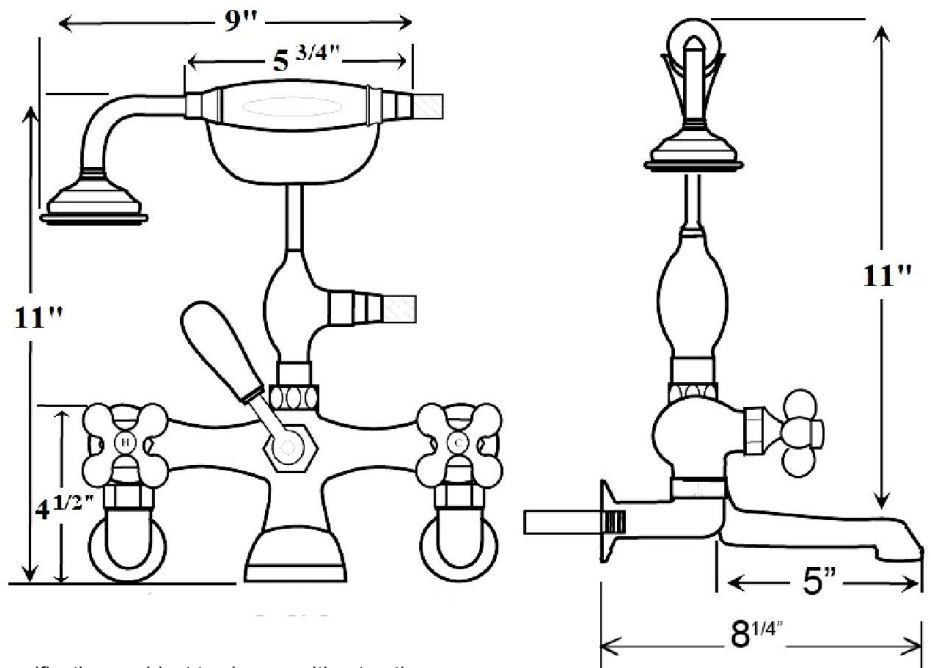
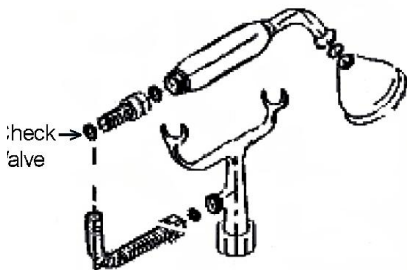
Adjustable Swivel Mounts

Features:

- ▶ Brass construction
- ▶ Elephant spout length is 5"
- ▶ Spout flow rate is 3.70 GPM
- ▶ Available with porcelain lever (**4602-PL**) or metal cross handles (**4602-MC**)
- ▶ Telephone handshower with cradle and hose
- ▶ Handshower flow rate 2.5 GPM
- ▶ Handshower includes backflow preventer
- ▶ Swivel mounts adjust centers from 3" to 12"
- ▶ Faucet centers are 7" without swivel mounts
- ▶ For tub wall mount installation
- ▶ ¼ turn ceramic disc cartridges
- ▶ To be used with double offset bath supplies, **Part #5576**
- ▶ This faucet can also be used with rigid freestanding supplies, **Part #4502** with adjustable swivel mounts removed

Finishes:

BP Polished Brass	SN Brushed Nickel
CP Polished Chrome	PN Polished Nickel
ORB Oil Rubbed Bronze	



Dimensions are nominal and may vary. Dimensions and specifications subject to change without notice.

FREESTANDING BATH SUPPLIES

Cat. No.
4502-PL



Features:

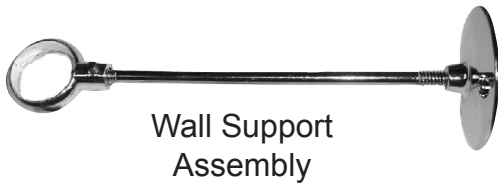
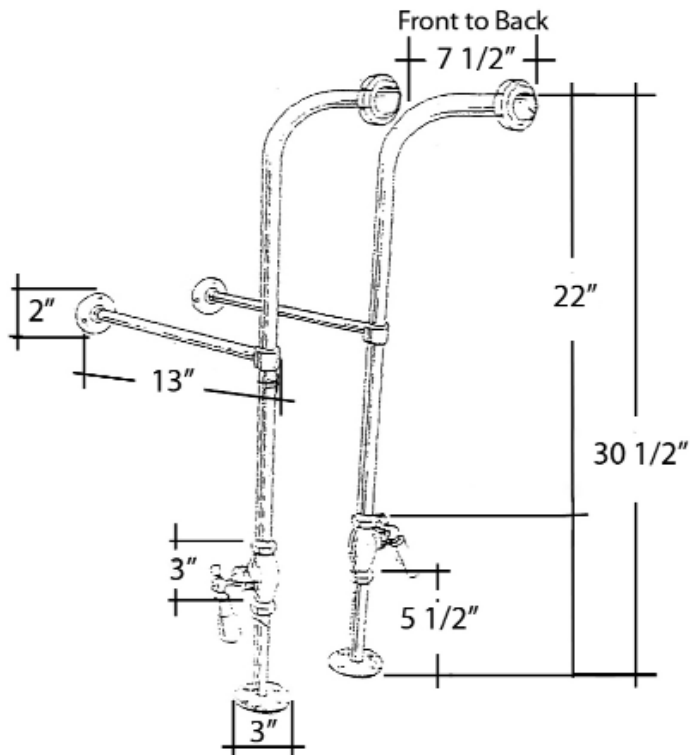
- ▶ 5" Shaft included
- ▶ Stops included
- ▶ 1/2" Pipe thread inlet
- ▶ 3/4" Flare outlet
- ▶ Wall support assemblies included
- ▶ Porcelain lever handles
- ▶ 0.800" Outer diameter
- ▶ 0.595" Inner diameter
- ▶ 0.090" Thickness of wall
- ▶ Available in 5 finishes

Finishes:

CP	Polished Chrome	PN	Polished Nickel
BP	Polished Brass	ORB	Oil Rubbed Bronze
SN	Brushed Nickel		

H: 30" (30 1/2" with nut)

OD: 1/2"



Wall Support
Assembly

Use on concrete floors requires special installation. We recommend using a plumbing professional.

Dimensions are nominal and may vary. Dimensions and specifications subject to change without notice.

LEG TUB DRAIN

Cat. No.
5599



Escutcheon Height: 1-1/4"

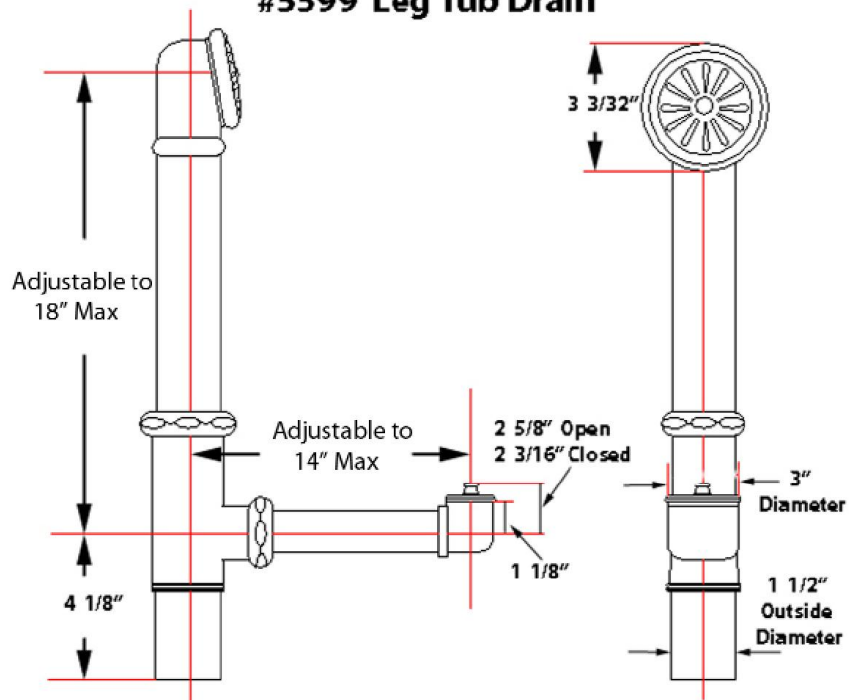
Features:

- ▶ Twist-and-lift stopper
- ▶ Includes deep escutcheon
- ▶ Height adjustable 15"-18"
- ▶ Depth adjustable 12"-14"
- ▶ Includes deep escutcheon
- ▶ Available in 5 Finishes

Finishes:

- CP Polished Chrome
- BP Polished Brass
- SN Brushed Nickel
- PN Polished Nickel
- ORB Oil Rubbed Bronze

#5599 Leg Tub Drain



Dimensions and specifications subject to change without notice.

“D” SHAPED SHOWER ROD

Cat. No.
4145



“D” Rod Loop Connector



Rectangular Flange

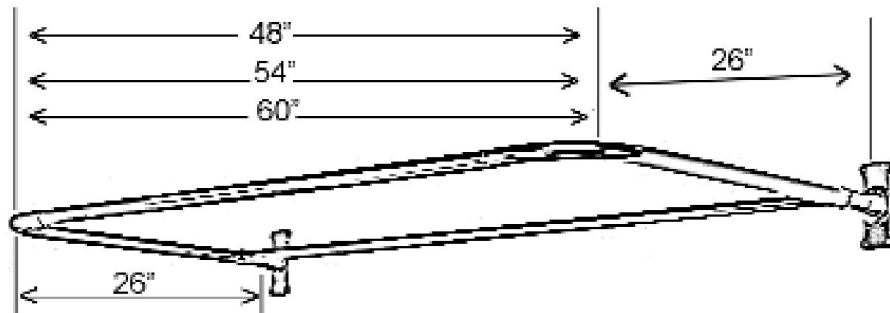
Features:

- ▶ 1” Solid brass tubing
- ▶ Includes rectangular flanges(#300)
- ▶ Includes two “D” rod loop connectors (#331)
- ▶ Available In 3 Sizes: 48”, 54”, and 60”
(#4145-48, #4145-54, and #4145-60)
- ▶ All rods come as four pieces
- ▶ Ceiling Supports Available (#340)
- ▶ Available in 5 finishes

Finishes:

CP Polished Chrome
BP Polished Brass
PN Polished Nickel

SN Brushed Nickel
ORB Oil Rubbed Bronze



**Measurements Show Different
Lengths For Each Size Rod.**

Dimensions are nominal and may vary. Dimensions and specifications are subject to change without notice.